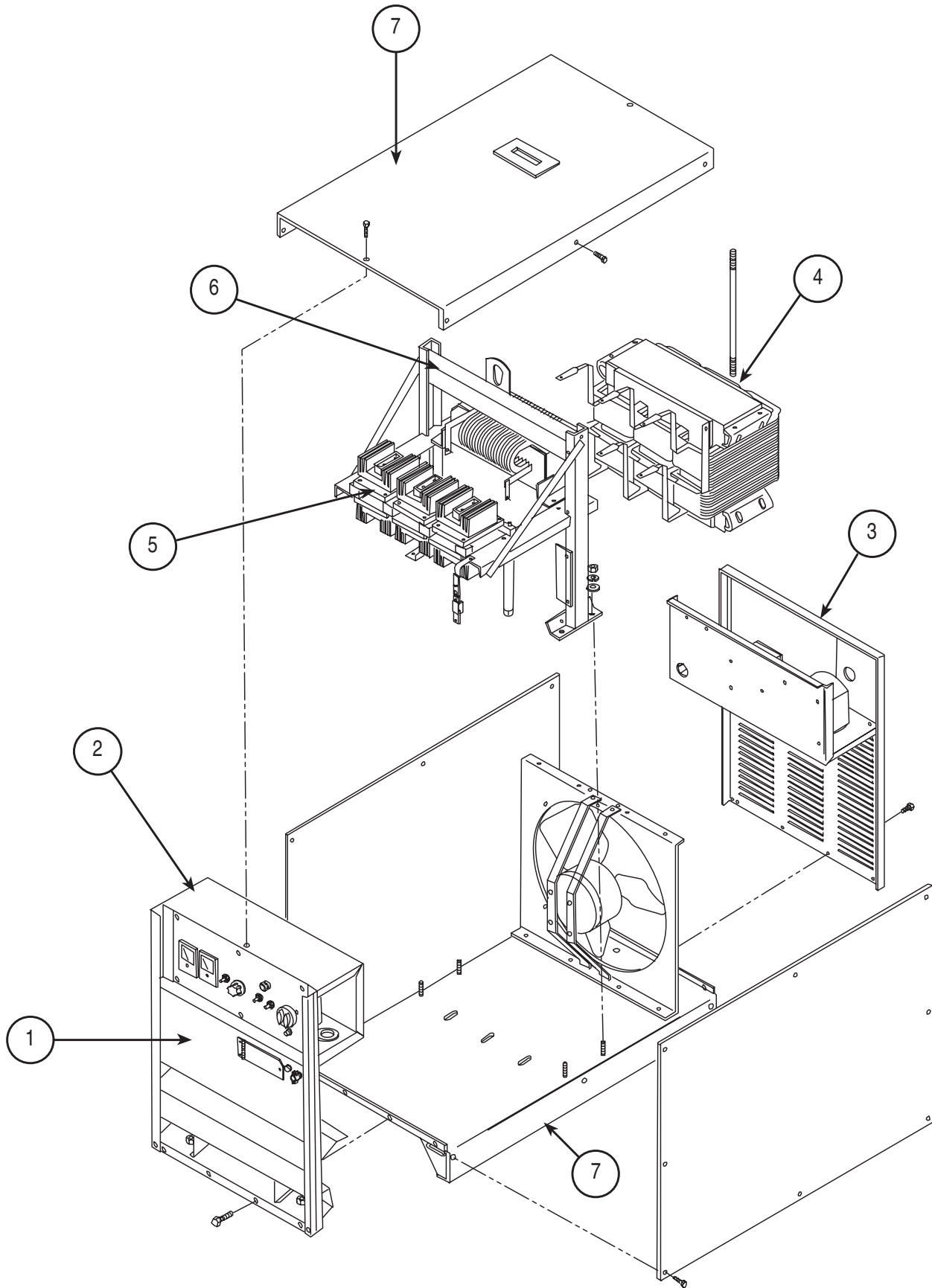


**PARTS LIST FOR**  
**RED-D-ARC**  
**DC-600**

# ILLUSTRATION OF SUB-ASSEMBLIES





# OPTIONAL EQUIPMENT LISTING

Miscellaneous Options Available for your machine are listed below:

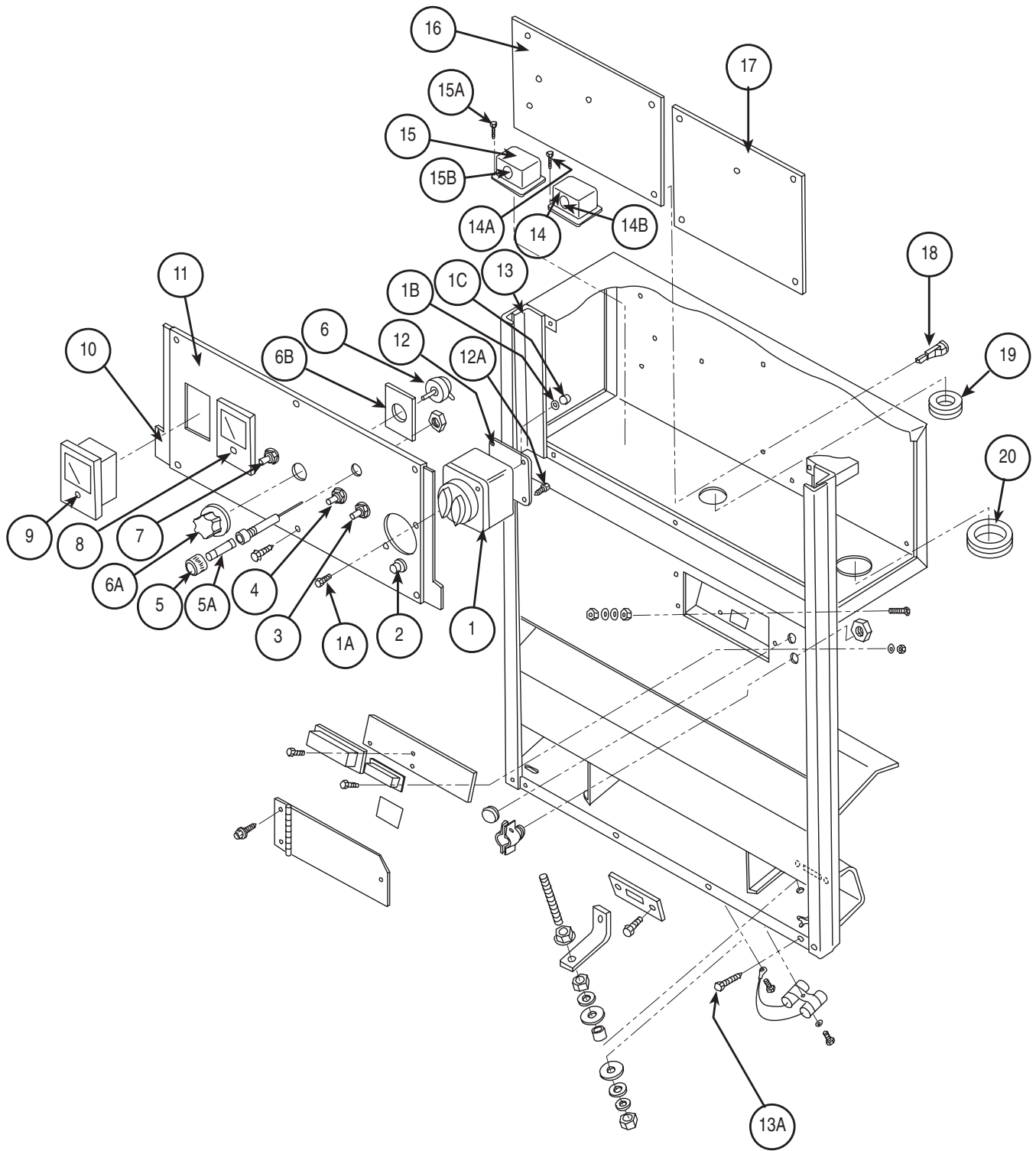
# Indicates a change this printing.

| DESCRIPTION ..... | PART NUMBER |
|-------------------|-------------|
|-------------------|-------------|

|   |               |
|---|---------------|
| Remote Output Control .....               | Order K775    |
| Undercarriage (3 Polyolefin Wheels) ..... | Order K817P   |
| Undercarriage (Twin Gas Cylinder) .....   | Order K842    |
| Paralleling Kit .....                     | Order K1897-1 |



# Case Front Panel Assembly, (Control Box Assembly, Shown)



# Indicates a change this printing.

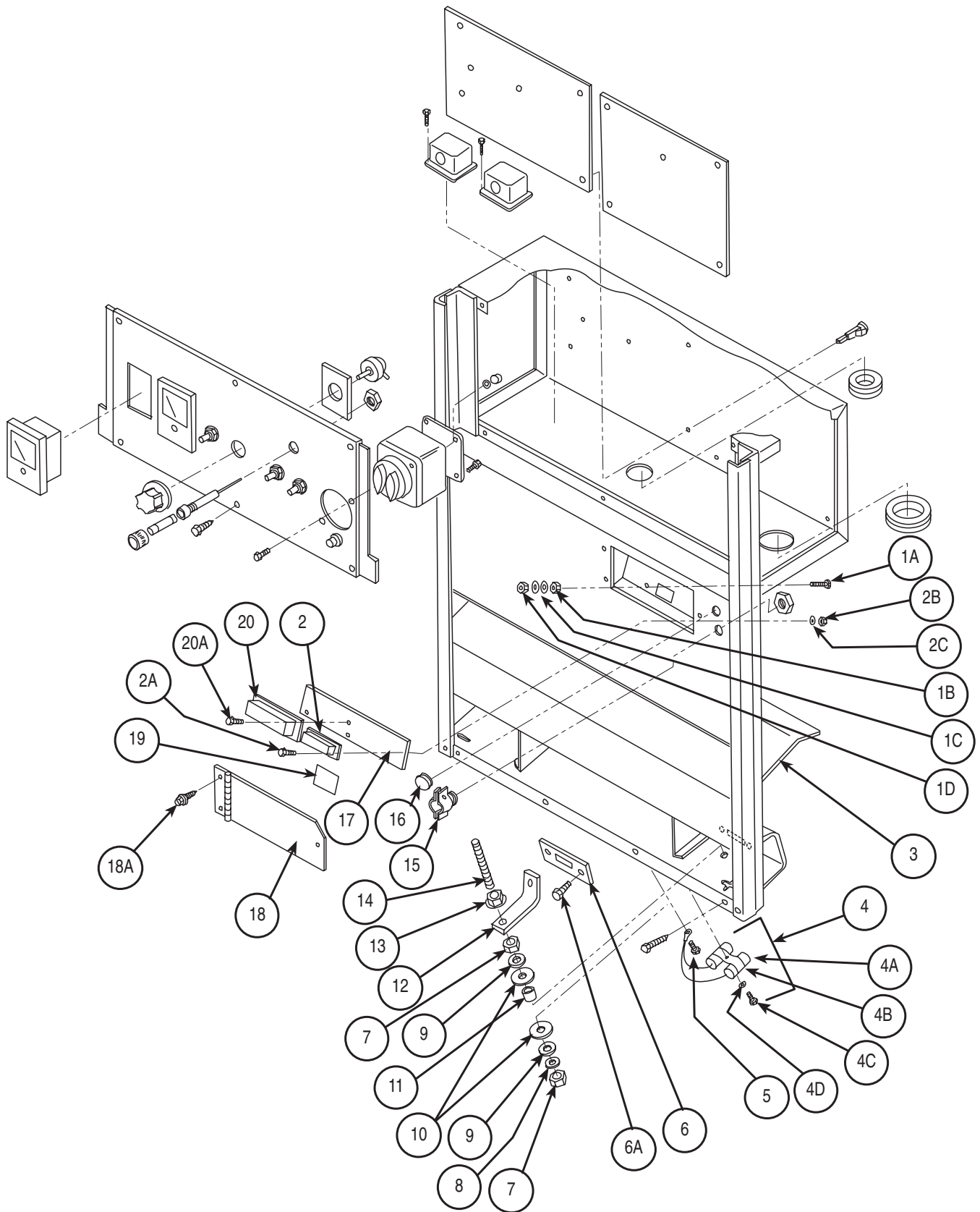
Use only the parts marked "x" in the column under the heading number called for in the model index page.

| ITEM | DESCRIPTION   | PART NO.             | QTY. | 1 | 2 | 3 | 4 | 5 | 6 | 7 | 8 | 9 |
|------|---|----------------------|------|---|---|---|---|---|---|---|---|---|
| 1    | Pushbutton  | M6574-A              | 1    | X |   |   |   |   |   |   |   |   |
| 1A   | #10 - 24 Round Head Screw   | CF000104             | 1    | X |   |   |   |   |   |   |   |   |
| 1B   | Lock Washer   | E106A-1              | 2    | X |   |   |   |   |   |   |   |   |
| 1C   | #10-24 Nut  | CF000154             | 2    | X |   |   |   |   |   |   |   |   |
| 2    | Pilot Light   | T13486               | 1    | X |   |   |   |   |   |   |   |   |
| 3    | Output Control Switch (SW3)   | T10800-24            | 1    | X |   |   |   |   |   |   |   |   |
| 4    | Welding Mode Switch (SW4)   | T13381-3             | 1    | X |   |   |   |   |   |   |   |   |
| 5    | Fuse Holder   | S10433-1             | 1    | X |   |   |   |   |   |   |   |   |
| 5A   | Fuse  | T10728-16            | 1    | X |   |   |   |   |   |   |   |   |
| 6    | Output Control Potentiometer  | T10812-97            | 1    | X |   |   |   |   |   |   |   |   |
| 6A   | Knob  | T10491               | 1    | X |   |   |   |   |   |   |   |   |
| 6B   | Potentiometer Insulation  | T12792-1             | 1    | X |   |   |   |   |   |   |   |   |
| 7    | Control Circuit Polarity Switch (SW2) (10 Amp,250 Vac: 15 Amp, 125 Vac) | T13562               | 1    | X |   |   |   |   |   |   |   |   |
| 8    | DC Ammeter  | M10485-5             | 1    | X |   |   |   |   |   |   |   |   |
| 9    | DC Voltmeter  | M10486-3             | 1    | X |   |   |   |   |   |   |   |   |
| 10   | Control Box Cover (Code 10650)  | M16756-1 $\emptyset$ | 1    | X |   |   |   |   |   |   |   |   |
|      | Control Box Cover (Code C1270910415)                                    | M16756               | 1    | X |   |   |   |   |   |   |   |   |
| 11   | Nameplate (Code 10650)  | M19327               | 1    | X |   |   |   |   |   |   |   |   |
|      | Nameplate (Code C1270910415)  | NA                   |      |   |   |   |   |   |   |   |   |   |
| 12   | Bottom Cover (Push Button)  | T8660                | 1    | X |   |   |   |   |   |   |   |   |
| 12A  | #6-32 x 3.75 Round Head Screw   | CF000108             | 2    | X |   |   |   |   |   |   |   |   |
| 13   | Front Panel Welded Assembly (Code 10650)                                | L5943-5 $\emptyset$  | 1    | X |   |   |   |   |   |   |   |   |
|      | Front Panel Welded Assenbly (Code C1270910415)                          | L5943-4              | 1    | X |   |   |   |   |   |   |   |   |
| 13A  | Self Tapping Screw  | S8025-91             | 7    | X |   |   |   |   |   |   |   |   |
| 14   | Relay (Fault)   | S14293-12            | 1    | X |   |   |   |   |   |   |   |   |
| 14A  | Self Tapping Screw  | S8025-62             | 2    | X |   |   |   |   |   |   |   |   |
| 14B  | Identification Sticker  | T12286-2             | 1    | X |   |   |   |   |   |   |   |   |
| 15   | Relay (Pilot)   | S14293-8             | 1    | X |   |   |   |   |   |   |   |   |
| 15A  | Self Tapping Screw  | S8025-62             | 2    | X |   |   |   |   |   |   |   |   |
| 15B  | Identification Sticker  | T12286-4             | 1    | X |   |   |   |   |   |   |   |   |
| 16   | Firing Circuit PC Board   | G1486-[ ]            | 1    | X |   |   |   |   |   |   |   |   |
| 17   | Control PC Board (Code 10650)   | G1504-3              | 1    | X |   |   |   |   |   |   |   |   |
|      | Control PC Board (Code C1270910415)                                     | G1504-4              | 1    | X |   |   |   |   |   |   |   |   |
| 18   | PC Board Support  | S19300-3             | 11   | X |   |   |   |   |   |   |   |   |
| 19   | Bushing   | T14614-1             | 1    | X |   |   |   |   |   |   |   |   |
| 20   | Bushing   | T12380-1             | 1    | X |   |   |   |   |   |   |   |   |

**Note:** When ordering new printed circuit boards indicate the dash number [ ] of the "Old" board that is to be replaced. This will aid Lincoln in supplying the correct and latest board along with any necessary jumpers or adapters. The dash number brackets [ ] have purposely been left blank so as to eliminate errors, confusion and updates.

**NA - Not Available**

# Control Box Assembly (Case Front Panel Assembly, Shown)



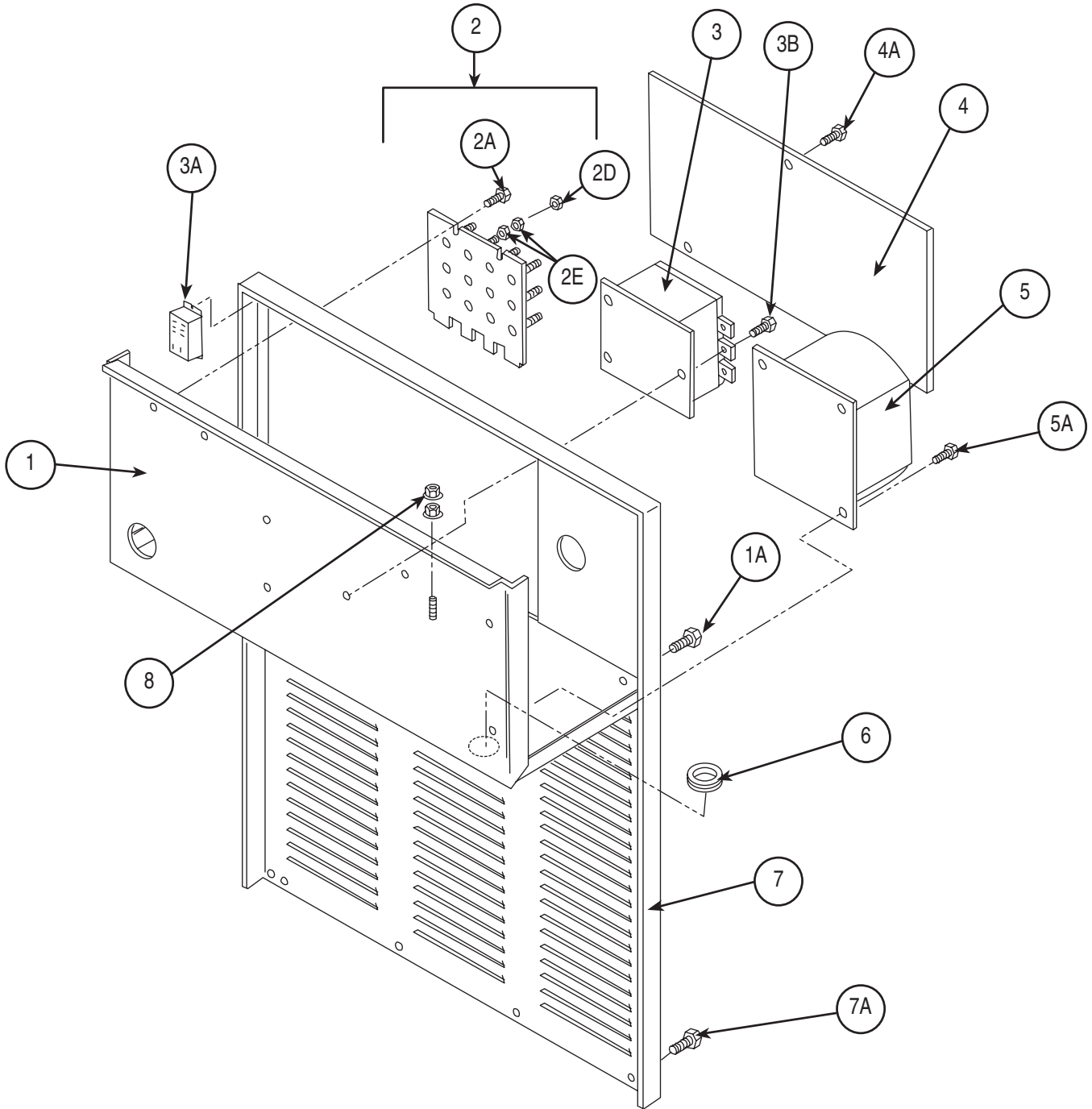


# Indicates a change this printing.

Use only the parts marked "x" in the column under the heading number called for in the model index page.

| ITEM | DESCRIPTION                                 | PART NO.    | QTY. | 1 | 2 | 3 | 4 | 5 | 6 | 7 | 8 | 9 |
|------|---|-------------|------|---|---|---|---|---|---|---|---|---|
| 1A   | Thread Cutting Screw                        | S9225-36    | 1    | X |   |   |   |   |   |   |   |   |
| 1B   | Lock Washer                                 | T9695-1     | 1    | X |   |   |   |   |   |   |   |   |
| 1C   | Plain Washer                                | S9262-27    | 2    | X |   |   |   |   |   |   |   |   |
| 1D   | Hex Nut                                     | #10-24      | 2    | X |   |   |   |   |   |   |   |   |
| 2    | Terminal Strip                              | S14530-11   | 1    | X |   |   |   |   |   |   |   |   |
| 2A   | Round Head Screw                            | #6-32 x .50 | 2    | X |   |   |   |   |   |   |   |   |
| 2B   | Hex Nut                                     | #6-32       | 2    | X |   |   |   |   |   |   |   |   |
| 2C   | Lock Washer                                 | T9695-2     | 2    | X |   |   |   |   |   |   |   |   |
| 3    | Air Baffle                                  | S18806      | 1    | X |   |   |   |   |   |   |   |   |
| 4    | Capacitor Assembly, Includes:               | S17222      | 1    | X |   |   |   |   |   |   |   |   |
| 4A   | Capacitor                                   | T11577-47   | 2    | X |   |   |   |   |   |   |   |   |
| 4B   | Clamp                                       | T12563-8    | 2    | X |   |   |   |   |   |   |   |   |
| 4C   | Thread Cutting Screw                        | S9225-36    | 1    | X |   |   |   |   |   |   |   |   |
| 4D   | Plain Washer                                | S9262-136   | 1    | X |   |   |   |   |   |   |   |   |
| 5    | Thread Cutting Screw                        | S9225-4     | 1    | X |   |   |   |   |   |   |   |   |
| 6    | Terminal Insulation                         | T14206      | 2    | X |   |   |   |   |   |   |   |   |
| 6A   | Self Tapping Screw                          | S8025-91    | 4    | X |   |   |   |   |   |   |   |   |
| 7    | Hex Jam Nut                                 | CF000054    | 8    | X |   |   |   |   |   |   |   |   |
| 8    | Lock Washer                                 | E106A-15    | 2    | X |   |   |   |   |   |   |   |   |
| 9    | Plain Washer                                | S9262-1     | 4    | X |   |   |   |   |   |   |   |   |
| 10   | Insulating Washer                           | S10773-9    | 4    | X |   |   |   |   |   |   |   |   |
| 11   | Insulating Tube                             | T4122       | 2    | X |   |   |   |   |   |   |   |   |
| 12   | Connection Strap                            | S16326      | 2    | X |   |   |   |   |   |   |   |   |
| 13   | Flanged Nut                                 | T3960       | 2    | X |   |   |   |   |   |   |   |   |
| 14   | Stud  | T6931-11    | 2    | X |   |   |   |   |   |   |   |   |
| 15   | Box Connector                               | T9639-1     | 1    | X |   |   |   |   |   |   |   |   |
| 16   | Plug Button                                 | T13597-1    | 1    | X |   |   |   |   |   |   |   |   |
| 17   | Number Plate                                | S17592      | 1    | X |   |   |   |   |   |   |   |   |
| 18   | Door and Welded Assembly (Code 10650)       | S17750-1    | 1    | X |   |   |   |   |   |   |   |   |
|      | Door and Welded Assembly (Code C1270910415) | S17750      | 1    | X |   |   |   |   |   |   |   |   |
| 18A  | Self Tapping Screw                          | S8025-91    | 2    | X |   |   |   |   |   |   |   |   |
| 19   | Decal                                       | T13260-3    | 1    | X |   |   |   |   |   |   |   |   |
| 20   | Terminal Strip                              | S8542-7     | 1    | X |   |   |   |   |   |   |   |   |
| 20A  | Self Tapping Screw                          | S8025-15    | 2    | X |   |   |   |   |   |   |   |   |

# Case Rear Panel Assembly

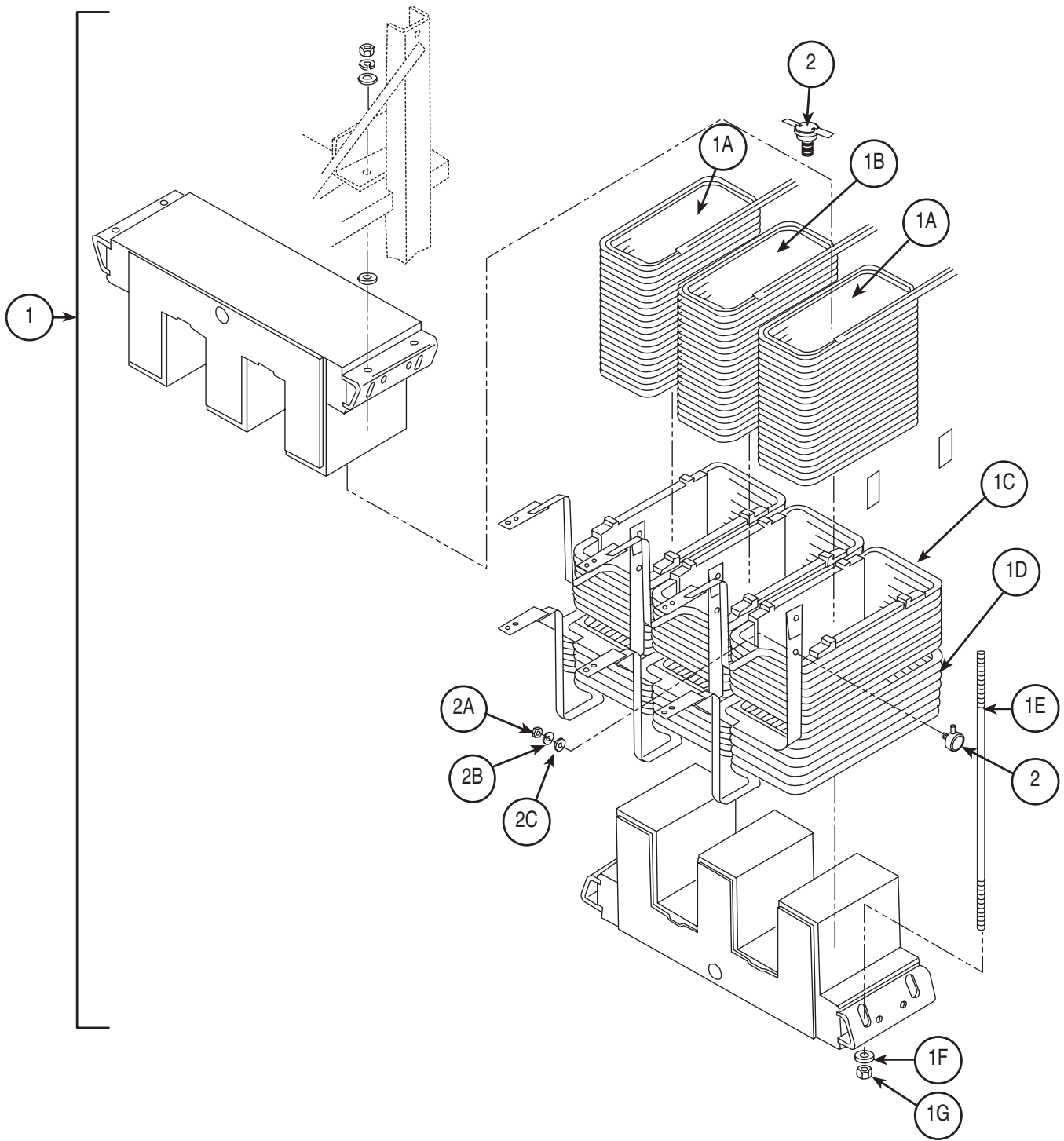


# Indicates a change this printing.

Use only the parts marked "x" in the column under the heading number called for in the model index page.

| ITEM | DESCRIPTION                                 | PART NO.  | QTY. | 1 | 2 | 3 | 4 | 5 | 6 | 7 | 8 | 9 |
|------|---|-----------|------|---|---|---|---|---|---|---|---|---|
| 1    | Input Box Assembly                          | S23819    | 1    | X |   |   |   |   |   |   |   |   |
| 1A   | Self Tapping Screw                          | S8025-91  | 3    | X |   |   |   |   |   |   |   |   |
| 2    | Reconnect Panel (230/460/575 Volt)          | M15002-3  | 1    | X |   |   |   |   |   |   |   |   |
| 2A   | Self Tapping Screw                          | S8025-91  | 2    | X |   |   |   |   |   |   |   |   |
| 2D   | 1/4-20 Heavy Hex Nut                        | T10940-5  | 6    | X |   |   |   |   |   |   |   |   |
| 2E   | 1/4-20 Brass - Hex Nut                      | CF000300  | 3    | X |   |   |   |   |   |   |   |   |
| 2F   | Grommet Strip (Not Shown)                   | T12823-13 | 1    | X |   |   |   |   |   |   |   |   |
| 2G   | External Tooth Lock Washer (Not Shown)      | T9860-6   | 3    | X |   |   |   |   |   |   |   |   |
| 3    | Contactor                                   | M18712    | 1    | X |   |   |   |   |   |   |   |   |
| 3A   | Relay and Lead Assembly, Includes:<br>Relay | S23723    | 1    | X |   |   |   |   |   |   |   |   |
|      |   | S15122-10 | 1    | X |   |   |   |   |   |   |   |   |
| 3B   | Self Tapping Screw                          | S8025-65  | 3    | X |   |   |   |   |   |   |   |   |
| 4    | Input Access Door                           | M13998-4  | 1    | X |   |   |   |   |   |   |   |   |
| 4A   | Self Tapping Screw                          | S8025-91  | 3    | X |   |   |   |   |   |   |   |   |
| 5    | Control Transformer (230/460/575)           | M12390-68 | 1    | X |   |   |   |   |   |   |   |   |
| 5A   | Self Tapping Screw (Code 10650)             | S8025-91  | 3    | X |   |   |   |   |   |   |   |   |
|      | Self Tapping Screw (Code C1270910415)       | S8025-91  | 12   | X |   |   |   |   |   |   |   |   |
| 6    | Bushing                                     | T12380-2  | 1    | X |   |   |   |   |   |   |   |   |
| 7    | Rear Panel                                  | S16816-11 | 1    | X |   |   |   |   |   |   |   |   |
| 7A   | Self Tapping Screw                          | S8025-91  | 12   | X |   |   |   |   |   |   |   |   |
| 8    | 5/16 - 18 Hex Jam Nut                       | CF000130  | 2    | X |   |   |   |   |   |   |   |   |

# Transformer Assembly

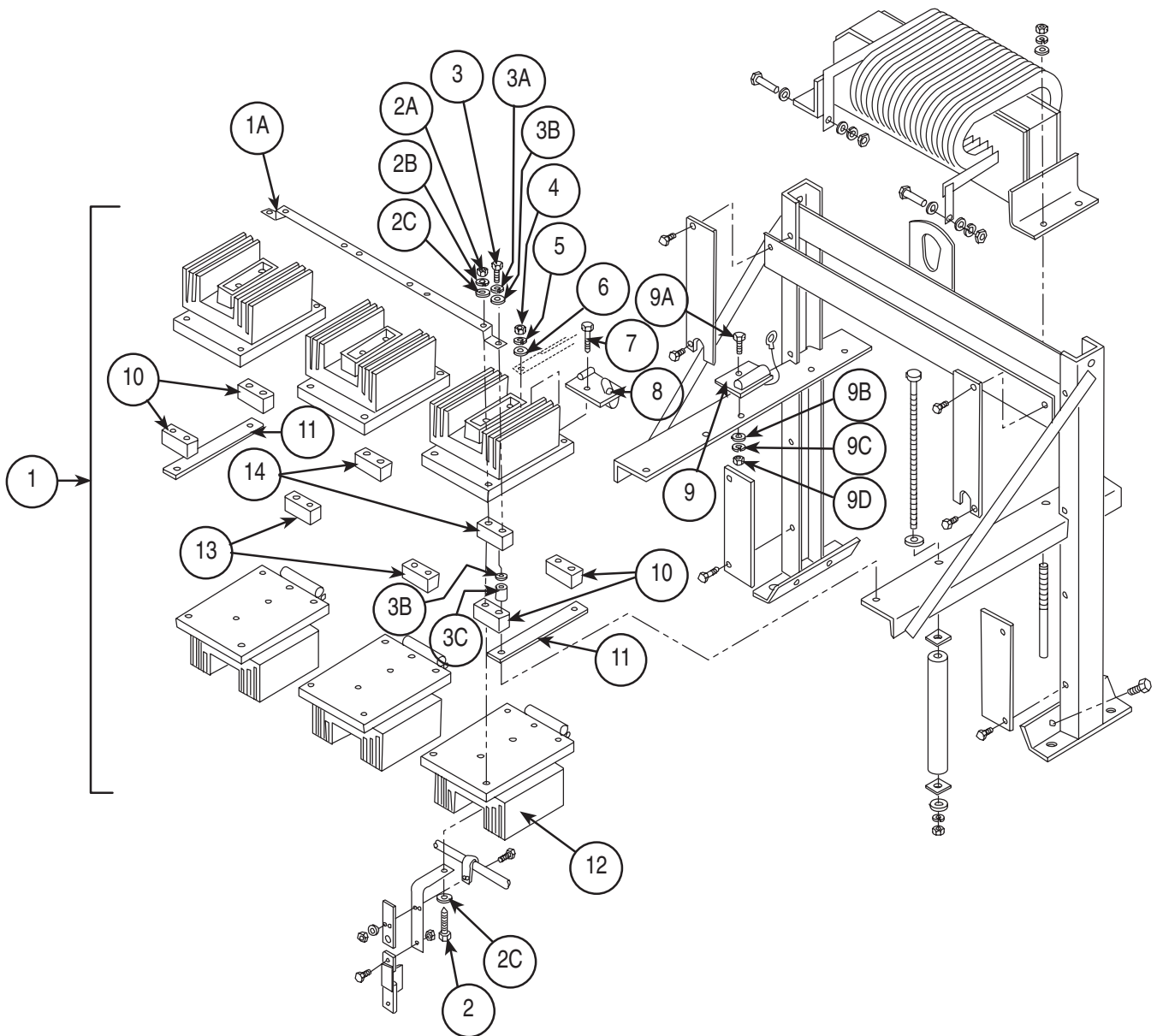


# Indicates a change this printing.

Use only the parts marked "x" in the column under the heading number called for in the model index page.

| ITEM | DESCRIPTION                                  | PART NO.  | QTY. | 1 | 2 | 3 | 4 | 5 | 6 | 7 | 8 | 9 |
|------|--|-----------|------|---|---|---|---|---|---|---|---|---|
| 1    | Transformer Assembly, Includes: (1A thru 1H) | L6196-12  | 1    | X |   |   |   |   |   |   |   |   |
| 1A   | Left and Right Primary Transformer Coils     | L7813-1   | 1    | X |   |   |   |   |   |   |   |   |
| 1B   | Center Primary Transformer Coils             | L7813-2   | 1    | X |   |   |   |   |   |   |   |   |
| 1C   | Top Secondary Transformer Coil               | M13904-1  | 3    | X |   |   |   |   |   |   |   |   |
| 1D   | Bottom Secondary Transformer Coil            | M13904-2  | 3    | X |   |   |   |   |   |   |   |   |
| 1E   | Threaded Rod                                 | T9781-51  | 4    | X |   |   |   |   |   |   |   |   |
| 1F   | Washer                                       | S9262-120 | 12   | X |   |   |   |   |   |   |   |   |
| 1G   | 3/8-16 Hex Nut                               | CF000067  | 8    | X |   |   |   |   |   |   |   |   |
| 1H   | Transformer Lamination Assembly              | L3841-29  | 2    | X |   |   |   |   |   |   |   |   |
| 2    | Thermostat (Secondary)                       | T13359-7  | 1    | X |   |   |   |   |   |   |   |   |
| 2A   | #6-32 Hex Nut                                | CF000005  | 1    | X |   |   |   |   |   |   |   |   |
| 2B   | Lock Washer                                  | E106A-13  | 1    | X |   |   |   |   |   |   |   |   |
| 2C   | Plain Washer                                 | S9262-3   | 1    | X |   |   |   |   |   |   |   |   |

# Rectifier Assembly (Lift Bale Assembly, Shown)



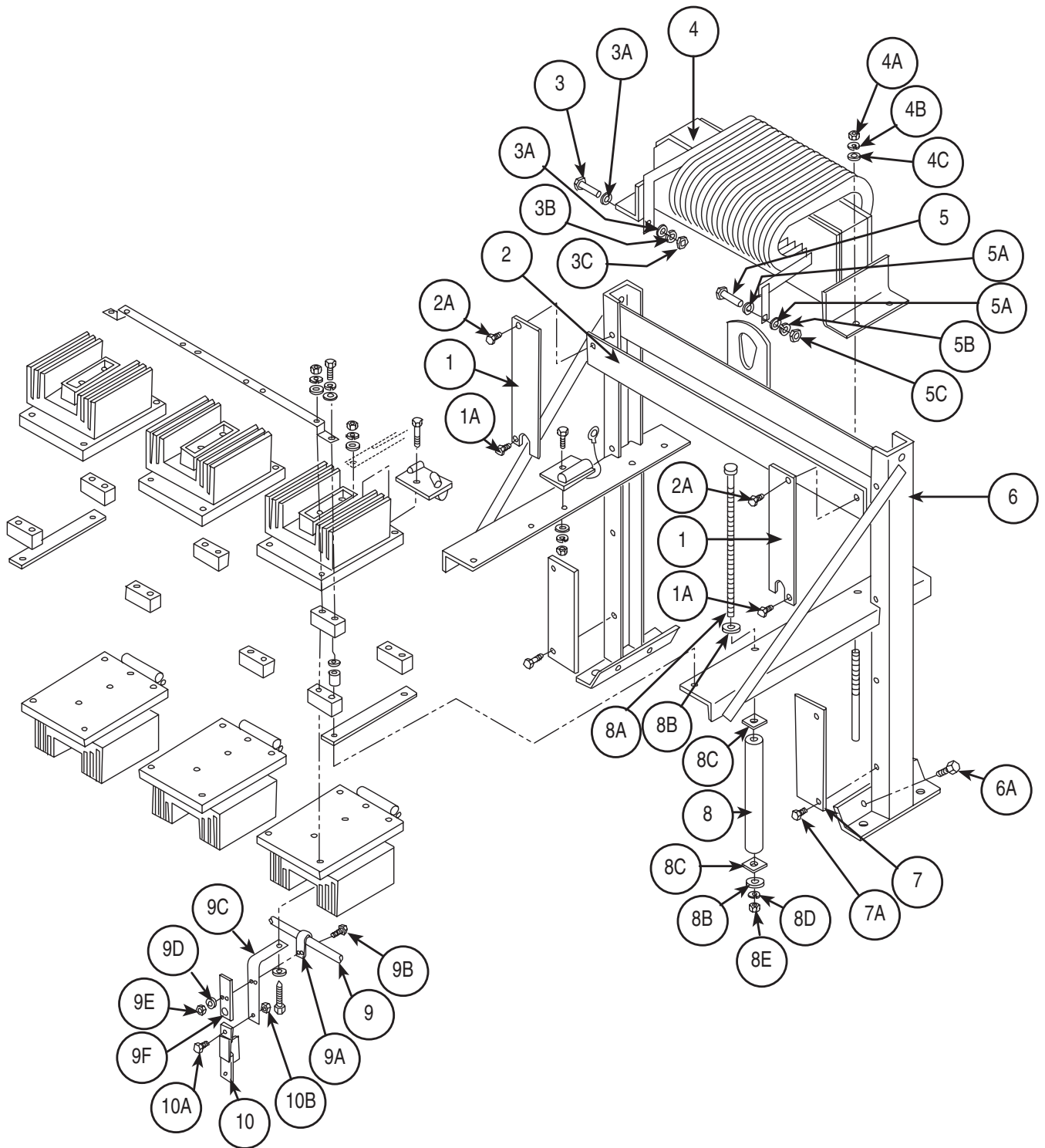
# Indicates a change this printing.

Use only the parts marked "x" in the column under the heading number called for in the model index page.

| ITEM | DESCRIPTION   | PART NO.   | QTY. | 1 | 2 | 3 | 4 | 5 | 6 | 7 | 8 | 9 |
|------|---|------------|------|---|---|---|---|---|---|---|---|---|
| 1    | Three Phase Bridge Assembly, Includes:<br>Stiffener | L7974      | 1    | X |   |   |   |   |   |   |   |   |
| 1A   |   | S16818     | 1    | X |   |   |   |   |   |   |   |   |
| 2    | 5/16-18 x 2.50 Hex Head Cap Screw                   | CF000187   | 12   | X |   |   |   |   |   |   |   |   |
| 2A   | 5/16-18 Hex Nut                                     | CF000029   | 12   | X |   |   |   |   |   |   |   |   |
| 2B   | Lock Washer   | E106A-14   | 12   | X |   |   |   |   |   |   |   |   |
| 2C   | Plain Washer  | S9262-30   | 18   | X |   |   |   |   |   |   |   |   |
| 3    | Self tapping Screw                                  | S8025-81   | 4    | X |   |   |   |   |   |   |   |   |
| 3A   | Plain Washer  | S9262-120  | 4    | X |   |   |   |   |   |   |   |   |
| 3B   | Insulating Washer                                   | S10773-23  | 4    | X |   |   |   |   |   |   |   |   |
| 3C   | Insulating Tube                                     | T7028-176  | 4    | X |   |   |   |   |   |   |   |   |
| 4    | 5/16" 18 Hex Nut                                    | CF000029   | 12   | X |   |   |   |   |   |   |   |   |
| 5    | Lock Washer   | E106A-14   | 12   | X |   |   |   |   |   |   |   |   |
| 6    | Plain Washer  | S9262-30   | 18   | X |   |   |   |   |   |   |   |   |
| 7    | Thread Forming Screw                                | S9225-8    | 1    | X |   |   |   |   |   |   |   |   |
| 8    | Snubber P.C. Board Assembly                         | S16182-[ ] | 6    | X |   |   |   |   |   |   |   |   |
| 9    | Snubber P.C. Board Assembly                         | S16182-[ ] | 6    | X |   |   |   |   |   |   |   |   |
| 9A   | 1/4-20 x .625 Hex Head Cap Screw                    | CF000013   | 1    | X |   |   |   |   |   |   |   |   |
| 9B   | Plain Washer  | S9262-98   | 1    | X |   |   |   |   |   |   |   |   |
| 9C   | Lock Washer   | E106A-2    | 1    | X |   |   |   |   |   |   |   |   |
| 9D   | 1/4-20 Hex nut                                      | CF000017   | 1    | X |   |   |   |   |   |   |   |   |
| 10   | Bridge Tie Bar                                      | S16181-4   | 4    | X |   |   |   |   |   |   |   |   |
| 11   | Insulation  | S13330-6   | 2    | X |   |   |   |   |   |   |   |   |
| 12   | Aluminum Heat Sink                                  | M12314-3   | 6    | X |   |   |   |   |   |   |   |   |
| 13   | Bridge Tie Bar                                      | S16181-6   | 2    | X |   |   |   |   |   |   |   |   |
| 14   | Bridge Tie Bar                                      | S16181-5   | 2    | X |   |   |   |   |   |   |   |   |
| 15   | SCR   | M12283-5   | 6    | X |   |   |   |   |   |   |   |   |
| 16   | Plug & Lead Assembly (Not Shown)                    | S18250-213 | 1    | X |   |   |   |   |   |   |   |   |
| 17*  | Cathode Heat Sink                                   | M14609     | 6    | X |   |   |   |   |   |   |   |   |
| 18A  | Mounting Clamp Spring (Not Shown)                   | S14724-A   | 6    | X |   |   |   |   |   |   |   |   |
| 18B  | Mounting Clamp (Not Shown)                          | S14724-B   | 6    | X |   |   |   |   |   |   |   |   |
| 19   | Shunt Assembly                                      | M19044     | 1    | X |   |   |   |   |   |   |   |   |

**Note:** When ordering new printed circuit boards indicate the dash number [ ] of the "Old" board that is to be replaced. This will aid Lincoln in supplying the correct and latest board along with any necessary jumpers or adapters. The dash number brackets [ ] have purposely been left blank so as to eliminate errors, confusion and updates.

# Lift Bale & Choke Assembly (SCR Bridge Assembly, Shown)



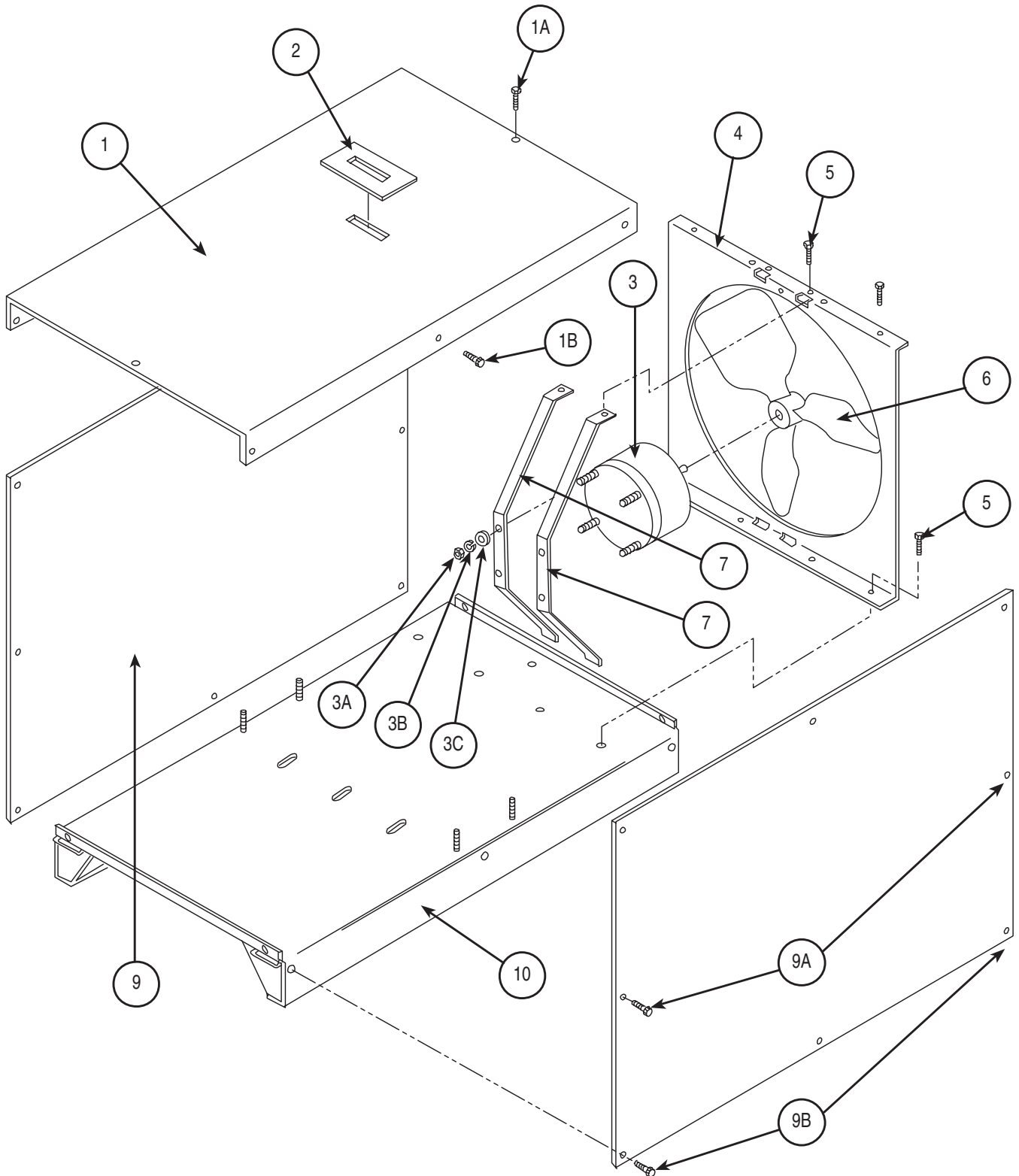


# Indicates a change this printing.

Use only the parts marked "x" in the column under the heading number called for in the model index page.

| ITEM | DESCRIPTION   | PART NO.   | QTY. | 1 | 2 | 3 | 4 | 5 | 6 | 7 | 8 | 9 |
|------|---|------------|------|---|---|---|---|---|---|---|---|---|
| 1    | Choke Side Baffle   | T14445     | 6    | X |   |   |   |   |   |   |   |   |
| 1A   | Self Tapping Screw  | S8025-79   | 2    | X |   |   |   |   |   |   |   |   |
| 2    | Choke Top Baffle  | S16642     | 1    | X |   |   |   |   |   |   |   |   |
| 2A   | Thread Forming Screw  | S9225-17   | 2    | X |   |   |   |   |   |   |   |   |
| 3    | 3/8-16 x 1.00 Hex Head Cap Screw  | CF000019   | 1    | X |   |   |   |   |   |   |   |   |
| 3A   | Plain Washer  | S9262-4    | 2    | X |   |   |   |   |   |   |   |   |
| 3B   | Lock Washer   | E106A-16   | 1    | X |   |   |   |   |   |   |   |   |
| 3C   | 3/8-16 Hex Nut  | CF000067   | 1    | X |   |   |   |   |   |   |   |   |
| 4    | Choke & Lamination Assembly, (Code 10650) Includes:<br>Edge Wound Coil  | M13885-1   | 1    | X |   |   |   |   |   |   |   |   |
|      |   | M9866-118  | 1    | X |   |   |   |   |   |   |   |   |
| 4A   | 3/8-16 Hex Nut  | CF000067   | 4    | X |   |   |   |   |   |   |   |   |
| 4B   | Lock Washer   | T9860-4    | 4    | X |   |   |   |   |   |   |   |   |
| 4C   | Plain Washer  | S9262-120  | 4    | X |   |   |   |   |   |   |   |   |
| 4    | Choke & Lamination Asb. (Code C1270910415) Includes:<br>Edge Wound Coil | M13885     | 1    | X |   |   |   |   |   |   |   |   |
|      |   | M9866-118  | 1    | X |   |   |   |   |   |   |   |   |
| 4A   | 3/8-16 Hex Nut  | CF000067   | 4    | X |   |   |   |   |   |   |   |   |
| 4B   | Lock Washer   | T9860-4    | 4    | X |   |   |   |   |   |   |   |   |
| 4C   | Plain Washer  | S9262-120  | 4    | X |   |   |   |   |   |   |   |   |
| 5    | 3/8-16 x 1.25 Hex Head Cap Screw  | CF000105   | 1    | X |   |   |   |   |   |   |   |   |
| 5A   | Plain Washer  | S9262-4    | 2    | X |   |   |   |   |   |   |   |   |
| 5B   | Lock Washer   | E106A-16   | 1    | X |   |   |   |   |   |   |   |   |
| 5C   | 3/8-16 Hex Nut  | CF000067   | 1    | X |   |   |   |   |   |   |   |   |
| 6    | Lift Bale Assembly  | L5941      | 1    | X |   |   |   |   |   |   |   |   |
| 6A   | Self Tapping Screw  | S8025-58 Ø | 4    | X |   |   |   |   |   |   |   |   |
| 7    | Transformer Insulating Baffle   | S24582     | 2    | X |   |   |   |   |   |   |   |   |
| 7A   | Self Tapping Screw  | S8025-79   | 4    | X |   |   |   |   |   |   |   |   |
| 8    | Resistor  | S10404-79  | 1    | X |   |   |   |   |   |   |   |   |
| 8A   | #10-24 x 7.50 Round Head Screw  | CF000191   | 1    | X |   |   |   |   |   |   |   |   |
| 8B   | Plain Washer  | S9262-27   | 2    | X |   |   |   |   |   |   |   |   |
| 8C   | Insulating Washer   | T4479-A    | 2    | X |   |   |   |   |   |   |   |   |
| 8D   | Lock Washer   | E106A-1    | 1    | X |   |   |   |   |   |   |   |   |
| 8E   | #10-24 Hex Nut  | CF000042   | 1    | X |   |   |   |   |   |   |   |   |
| 9    | Reed Switch   | S12334-51  | 1    | X |   |   |   |   |   |   |   |   |
| 9A   | Clamp   | T8970-17   | 2    | X |   |   |   |   |   |   |   |   |
| 9B   | #8-32 x .50 Round Head Screw  | CF000033   | 2    | X |   |   |   |   |   |   |   |   |
| 9C   | Reed Switch Plate   | S11797-15  | 1    | X |   |   |   |   |   |   |   |   |
| 9D   | Lock Washer   | T4291-A    | 2    | X |   |   |   |   |   |   |   |   |
| 9E   | #8-32 Hex Nut   | CF000042   | 2    | X |   |   |   |   |   |   |   |   |
| 9F   | Identification Sticker  | T14798-3   | 1    | X |   |   |   |   |   |   |   |   |
| 10   | Shunt Assembly  | M19044     | 1    | X |   |   |   |   |   |   |   |   |
| 10A  | 3/8-16 x 1.00 Hex Head Cap Screw  | CF000019   | 3    | X |   |   |   |   |   |   |   |   |
| 10B  | 3/8-16 Hex Nut  | CF000067   | 3    | X |   |   |   |   |   |   |   |   |
| 11   | Negative Output Lead (Not Shown)  | S19109-2   | 1    | X |   |   |   |   |   |   |   |   |

# Base, Fan, Sides & Roof Assembly



# Indicates a change this printing.

Use only the parts marked "x" in the column under the heading number called for in the model index page.

| ITEM | DESCRIPTION                   | PART NO.  | QTY. | 1 | 2 | 3 | 4 | 5 | 6 | 7 | 8 | 9 |
|------|-------------------------------|-----------|------|---|---|---|---|---|---|---|---|---|
| 1    | Roof Assembly                 | L4983-12  | 1    | X |   |   |   |   |   |   |   |   |
| 1A   | Self Tapping Screw            | S8025-94  | 2    | X |   |   |   |   |   |   |   |   |
| 1B   | Self Tapping Screw            | S8025-91  | 6    | X |   |   |   |   |   |   |   |   |
| 2    | Cover Seal                    | S12934    | 1    | X |   |   |   |   |   |   |   |   |
| 3    | Fan Motor                     | M9983-6   | 1    | X |   |   |   |   |   |   |   |   |
| 3A   | #10-32 Hex Nut/#8-32 Hex Nut  | CF000011  | 2    | X |   |   |   |   |   |   |   |   |
|      |                               | CF000042  | 2    | X |   |   |   |   |   |   |   |   |
| 3B   | Lock Washer                   | T9695-1   | 8    | X |   |   |   |   |   |   |   |   |
| 3C   | Plain Washer                  | S9262-67  | 4    | X |   |   |   |   |   |   |   |   |
| 4    | Fan Baffle                    | L6247 Ø   | 1    | X |   |   |   |   |   |   |   |   |
| 5    | Self Tapping Screw            | S8025-91  | 7    | X |   |   |   |   |   |   |   |   |
| 6    | Fan Blade                     | M6819-9   | 1    | X |   |   |   |   |   |   |   |   |
| 7    | Left Fan Bracket Brace        | M16525    | 2    | X |   |   |   |   |   |   |   |   |
| 9    | Side Panel (Code C1270910415) | NA        | 2    | X |   |   |   |   |   |   |   |   |
| 9    | Side Panel (Code 10650)       | L10846-1  | 1    | X |   |   |   |   |   |   |   |   |
| 9A   | Self Tapping Screw            | S8025-94  | 6    | X |   |   |   |   |   |   |   |   |
| 9B   | Self Tapping Screw            | S8025-91  | 8    | X |   |   |   |   |   |   |   |   |
| 10   | Base (Code 10650)             | L5928-4 Ø | 1    | X |   |   |   |   |   |   |   |   |
|      | Base (Code C1270910415)       | L5928-3   | 1    | X |   |   |   |   |   |   |   |   |

# NOTES

---

DC-600

**Red-D-Arc**