

RDA FHV440-M NA Manufacturers Series Positioners

Red-D-Arc's FHV440-M NA positioner provides 360° rotation with 120° forward tilt to position weldments for better down-hand or automatic welding and safe, trouble-free operation.

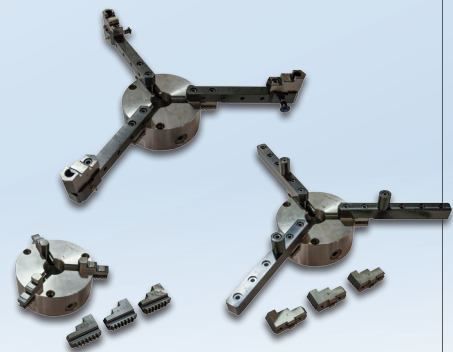
Features include...

- High frequency protection
- Speed control by PWM drive
- Machined "T" slots with pilot and through-hole
- High-quality worm-gear reducers ensure smooth operation
- PMDC rotation drive motor
- Maintenance-free grounding system
- Standard forward/stop/reverse and variable-speed control
- Includes standard foot control for table rotation start/stop



Specifications

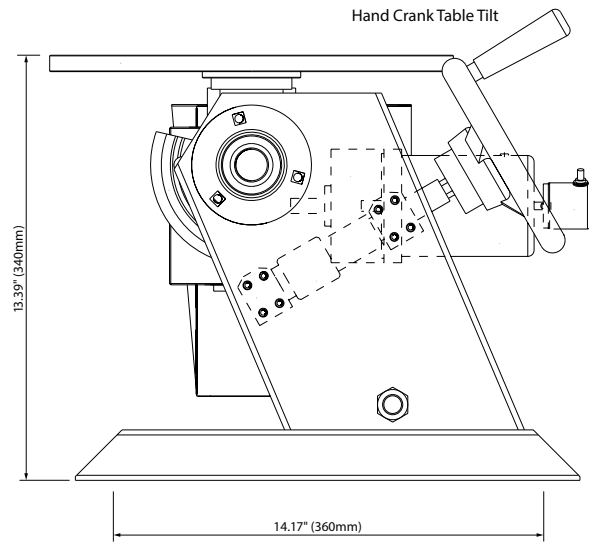
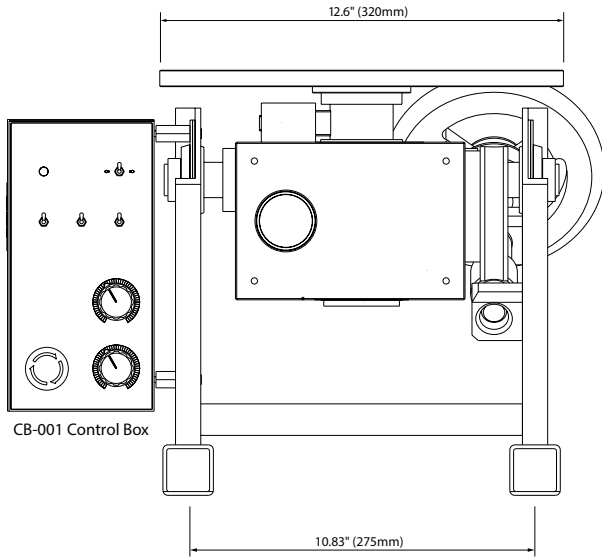
Model	RDA FHV440-M NA		
Tilting Torque	hand crank		
Weight	93 lb (42 kg)		
Load Capacity, Horizontal	440 lb (200 kg)		
Load Capacity, Vertical	280 lb (130 kg)		
Rotation/Rating @ Eccentric CG	280 lb @ 1 inch (130 kg @ 25 mm)		
Rotation/Rating @ Eccentric CG	237 lb @ 2 inch (110 kg @ 50 mm)		
Rotation/Rating @ Eccentric CG	120 lb @ 4 inch (55 kg @ 100 mm)		
Rotation/Rating @ Eccentric CG	60 lb @ 8 inch (27 kg @ 200 mm)		
Rotation/Rating @ Eccentric CG	40 lb @ 12 inch (18 kg @ 300 mm)		
Rotation/Rating @ Eccentric CG	20 lb @ 24 inch (9 kg @ 600 mm)		
Welding Timer Control	0 - 60 seconds		
Rotation Speed Control	0.3 - 8 rpm		
Rotation Motor	1/12 hp		
Rotation Torque	475 lbf in (53.67 Nm)		
Tilt Range	0 - 120 degrees		
Table Size	12.60" (320 mm)		
Table Center Through Hole	1.52" (38.5 mm)		
Table Slot Bolt Size	M10		
Table Slot Length	3.54" (90 mm)		
Power Input	110/240 VAC, 50/60 Hz, 1 Phase		
Ground Capacity	200 amp @ 100%/300 amp @ 40%		
Optional Chucks	PG-150	PG-450L	PG-500
Inside Clamp Range	1.89" - 5.90" (48 - 150 mm)	1.89" - 20.87" (48 - 530 mm)	2.17" - 21.26" (55 - 540 mm)
Outside Clamp Range	0.12" - 6.30" (3 - 160 mm)	0.12" - 18.90" (3 - 480 mm)	0.12" - 19.68" (3 - 500 mm)



Red-D-Arc **Welderentals**, an Airgas company, rents and sells welding and weld-positioning equipment - around the world.

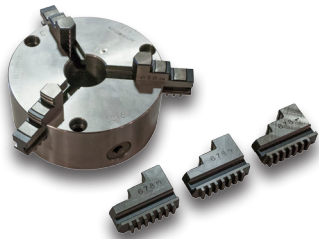
RDA FHV440-M NA Manufacturers Series Positioners

RDA FHV440-M NA 440 lb Positioner



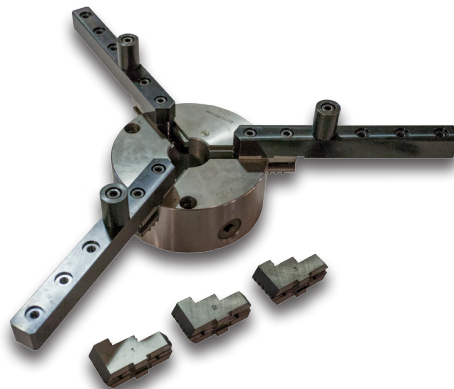
PG-150 Chuck

Inside Clamp Range 1.89" - 5.90" (48 - 150 mm)
 Outside Clamp Range 0.12" - 6.30" (3 - 160 mm)



PG-450L Chuck

Inside Clamp Range 1.89" - 20.87" (48 - 530 mm)
 Outside Clamp Range 0.12" - 18.90" (3 - 480 mm)



PG-500 Chuck

Inside Clamp Range 2.17" - 21.26" (55 - 540 mm)
 Outside Clamp Range 0.12" - 19.68" (3 - 500 mm)

