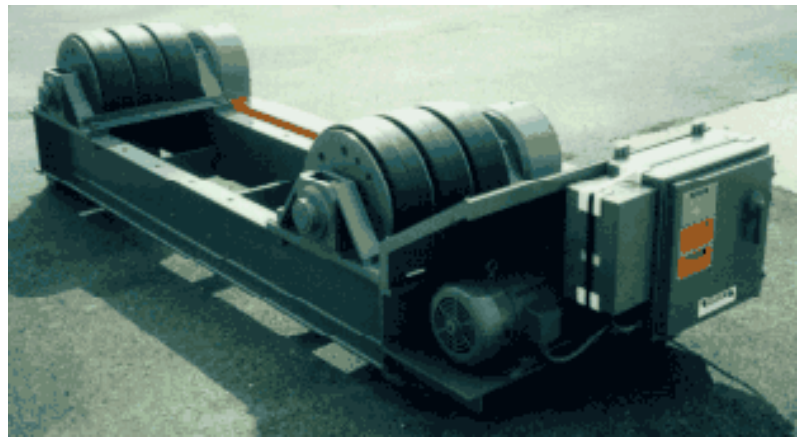


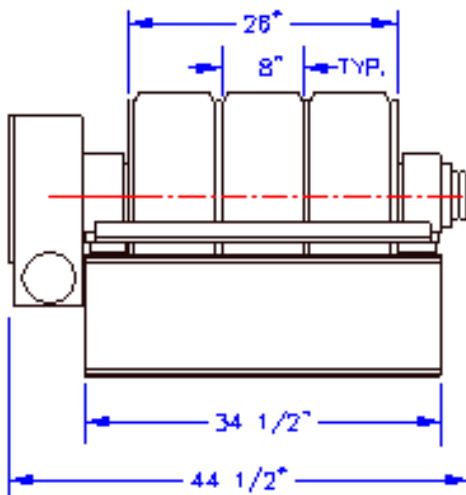
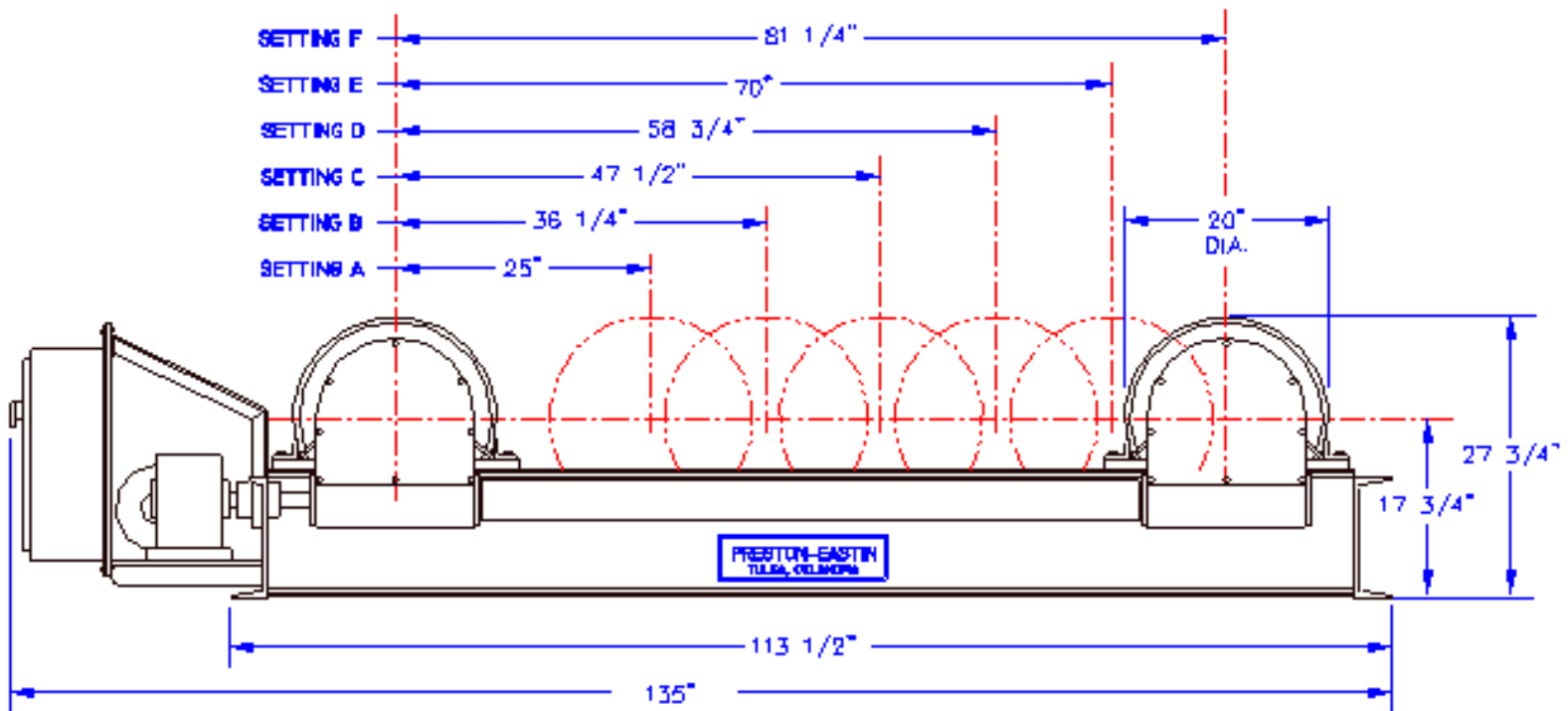
Red-D-Arc Welderrentals

MODEL TDRA-120 HD DRIVER MODEL TIRA-120 HD IDLER



SPECIFICATIONS

- WEIGHT CAPACITY : 120 Tons (Per Driver/Idler Combination)
- TURNING CAPACITY : 360,000 Pounds
- TRACTIVE PULL : 21,250 Pounds
- DIAMETER RANGE : 8" Thru 18'0" Diameter
- SPEED RANGE : .44 to 44 IPM
- MOTOR SIZE : 5 Horsepower DC
- WHEEL DIAMETER : 20" Diameter Rubber
- WHEEL FACE : 3 x 8" Wide Rubber, 26" Overall
: with 4 Steel Overload Discs



VESSEL DIAMETER RANGES

SETTING	MINIMUM DIAMETER	MAXIMUM DIAMETER
A	8"	48"
B	30"	6'-0"
C	4'-0"	9'-0"
D	5'-0"	11'-0"
E	7'-0"	14'-0"
F	9'-0"	18'-0"