

MODEL TDSA-300 HD DRIVER

MODEL TISA-300 HD IDLER

SPECIFICATIONS

WEIGHT CAPACITY : 300 Tons (Per Driver/Idler Combination)

TURNING CAPACITY : 900,000 Pounds

TRACTIVE PULL : 38,000 Pounds

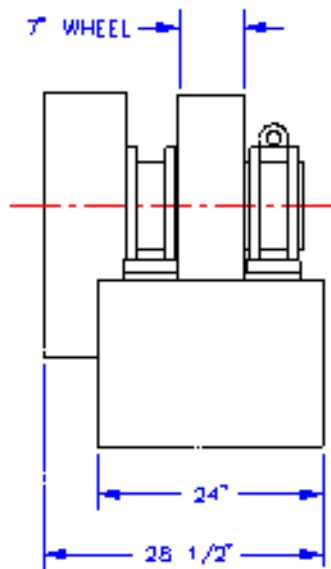
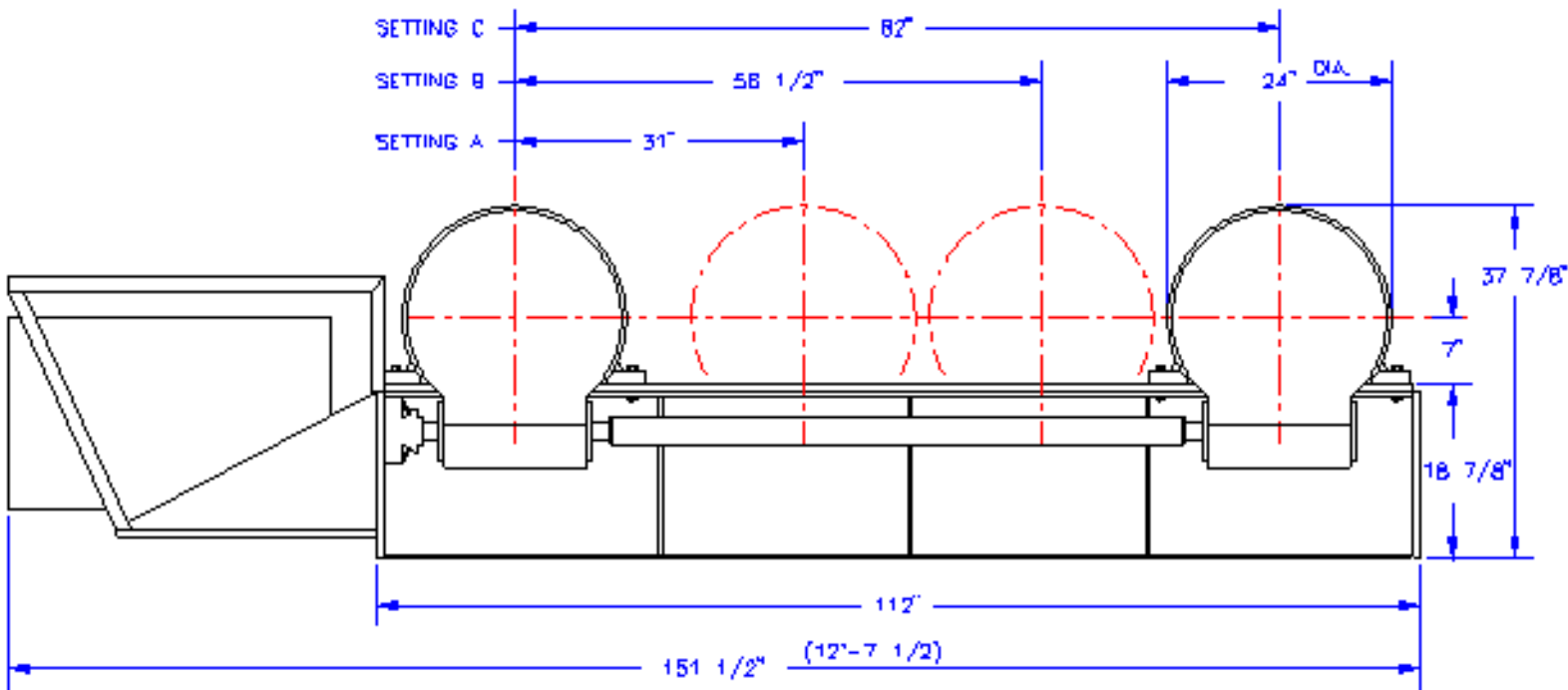
DIAMETER RANGE : 8" Thru 18'0" Diameter

SPEED RANGE : .64 to 64 IPM

MOTOR SIZE : 10 Horsepower DC

WHEEL DIAMETER : 24" Diameter Steel

WHEEL FACE : 7" Steel



VESSEL DIAMETER RANGES

SETTING	MINIMUM DIAMETER	MAXIMUM DIAMETER
A	3'-0"	6'-0"
B	6'-0"	11'-0"
C	11'-0"	16'-0"